

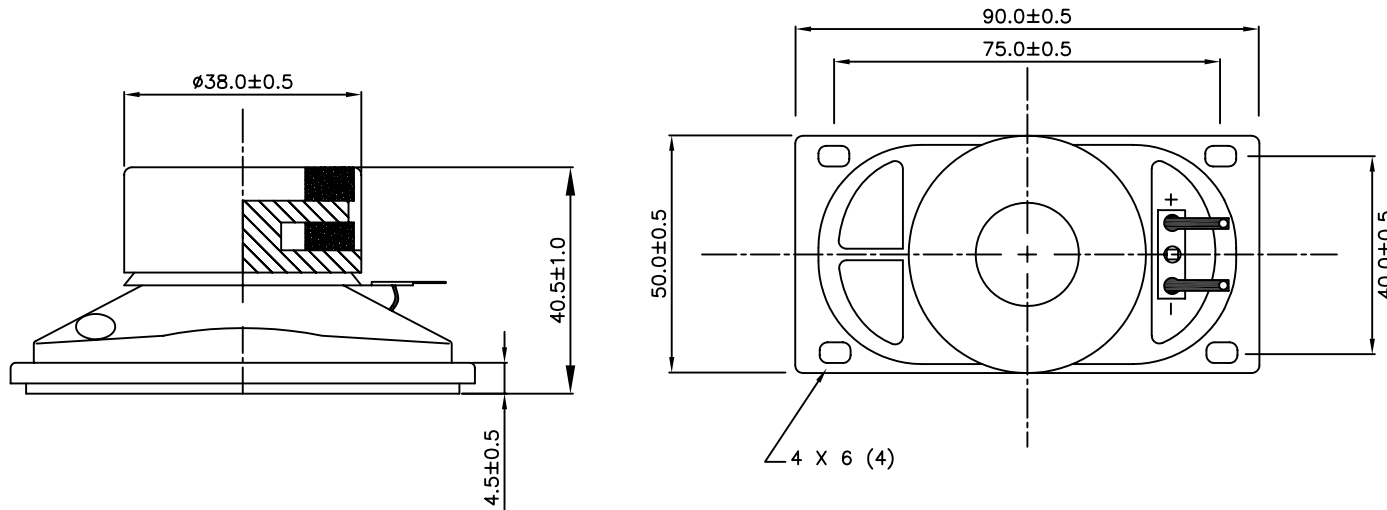
THIS DOCUMENT CONTAINS DATA PROPRIETARY TO PROJECTS UNLIMITED, INC. ANY USE OR REPRODUCTION, IN ANY FORM, WITHOUT PRIOR WRITTEN PERMISSION OF PROJECTS UNLIMITED, INC. IS PROHIBITED.  
© 2003, Projects Unlimited Inc.

### SPECIFICATIONS

PARAMETERS	VALUES	UNITS
RATED INPUT POWER	1.0	W
MAX INPUT POWER	2.0	W
IMPEDANCE	8±15%	OHM
OUTPUT SPL @ 1.0W/1.0M (AT 600, 800, 1,000, 1,200 kHz)	86±3	dB
DISTORTION	5%	-
RESONANT FREQUENCY	240±20%	Hz
FREQUENCY RANGE	240 ~ 18,000	Hz
HOUSING MATERIAL	METAL	-
CONE MATERIAL	PAPER	-
MAGNET MATERIAL	FERRITE	-
OPERATING TEMPERATURE	-20 ~ +55	°C
WEIGHT	100.0	grams

### REVISIONS

LTR	DESCRIPTION	DATE	APPROVED
-	RELEASED FROM ENGINEERING	8/16/05	



#### NOTES:

1. ALL DIMENSIONS ARE IN MILLIMETERS.
2. SPECIFICATION SUBJECT TO CHANGE OR WITHDRAWAL WITHOUT NOTICE.
3. THIS PART IS RoHS 2002/95/EC COMPLIANT.

UNLESS OTHERWISE SPECIFIED:  
DIMENSIONS ARE IN  
MILLIMETERS, TOLERANCES ARE ±0.5 AND  
ANGLES ARE ±3°.



Dayton, Ohio

APPROVALS	DATE
DRAWN <i>J. A. F.</i>	8/05
APPROVED <i>B. R.</i>	8/05
<i>E. P.</i>	8/05

SIZE  
A

DYNAMIC SPEAKER  
AS09008PO-3-R

DRAWING NO.  
AS09008PO-3-R

FILE NAME  
AS09008PO-3-R.DWG

DO NOT SCALE DRAWING

SCALE: N.T.S.

SHEET 1 OF 1